



Portable Manual Grinder Kpro/Kplus Series



Guide

Hand Ball

Wood

Crank Handle

304 Stainless Steel

Top Bearing Cover

304 Stainless Steel

Scale Ring

Aluminum Alloy

Anti-slip Leather

(The Illustrate is for reference only to live in kind as the standard)

Central Shaft

304 Stainless Steel

Burr

Titanium Stainless Steel (The color of burr is for reference only to live in kind as the standard)

Powder Hammer

Aluminum Alloy

Powder Receiver

Aluminum Alloy

Bottomless Bottom

Aluminum Alloy

Bottom

Aluminum Alloy

Knurled Thumb Nut

304 Stainless Steel

Top Bearing

Bearing Steel

Main Body

Aluminum Alloy

Burr Ring Holder for Plus

Aluminum Alloy+ Magnetic

Lower Bearing Cover

Aluminum Alloy

Spring

304 Stainless Steel

Lower Magnetic Ring

Aluminum Alloy+ Magnetic

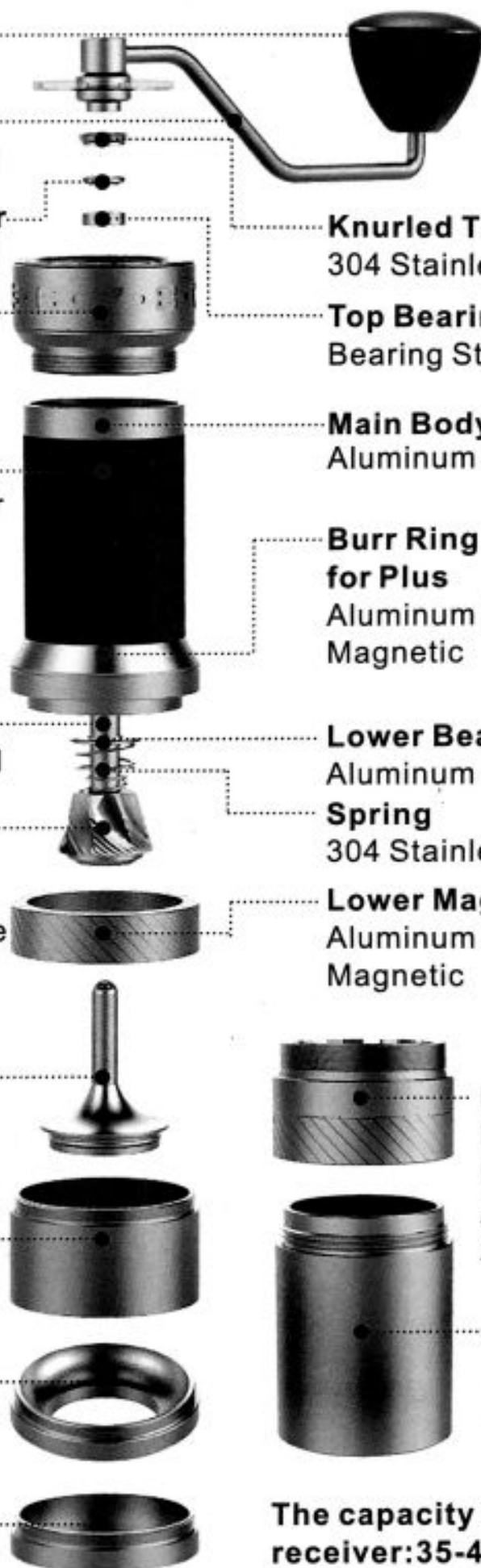
Burr Ring Holder for Pro

Aluminum Alloy

Receiver

Aluminum Alloy

The capacity of powder receiver: 35-40g (according to beans type)



Instructions



Red Dot



Scale Ring

1. Turn the grinding dial clockwise, the Red Dot points to the number is your grinding degree. Turn to the larger number to set the coarser particle; the smaller number to set the finer particle.
2. There have 90 clicks in a circle, the pitch is 2mm, 0.022mm/click, it able to turn 1.5 circles.
3. When reassembled, calibrate the Scale Ring correctly before using is necessary. Please follow the steps on the last page.
4. Please refer to the grinding recommendation card for different brewing methods.
5. Rotate the handle clockwise to start grinding.



Please watch the video on our web (or scan the QR Code) for disassemble/assemble the grinder.

<https://www.1zpresso.com>

YouTube official channel

How to Disassemble

(Illustrate for K-Plus Grinder)

Note : Do Not remove the Burr Ring Holder before step 3.



1. Turn the Scale Ring clockwise, maximize the gap of Scale Ring as an Illustration.



2. Lift the bottom cutter head, screw the Knurled Thumb Nut counterclockwise, take off the Top Bearing Cover/ Top Bearing.



3. Take off the Shaft/ Lower Bearing Cover / Spring in order.



4. Due to the ring inverse design, please lose and remove the Burr Ring Holer and Scale Ring clockwise.

5. DO NOT clean with water, use brush and blower to clean parts.

DO NOT disassemble the following components



Central shaft
and burr



Burr ring holder



Scale Ring



Bearing

How to Assemble



1. Due to the ring inverse design, please screw the Scale Ring counter-clockwise tightest.
2. Turn the Scale Ring clockwise, maximize the gap of Scale Ring as an Illustration



3. Screw the Burr Ring Holder tightly counterclockwise.



4. Install Spring (small-diameter facing the burr)/ Lower Bearing Cover (convex surface facing the Bearing) on the shaft and go through from the bottom.



5. Install Top Bearing from the top of the Scale Ring.



6. Install Top Bearing Cover (concave dots facing the top)

7. Push the bottom of burr, screw the Knurled Thumb Nut clockwise into tightest.

8. Calibrate is necessary if the Red Dot points not at "0", please follow the steps on the last page.

How to Calibrate

Principle:

1. The product completes the calibration by retracting the Knurled Thumb Nut and the Scale Ring to adjust, bring into correspondence with the Central shaft, the inner/outer Burr close, the Red Dot points at "0".
2. It was normal that there have range between 2 clicks when calibration to "zero" due to the ring locking force cannot be unified.

Illustrates

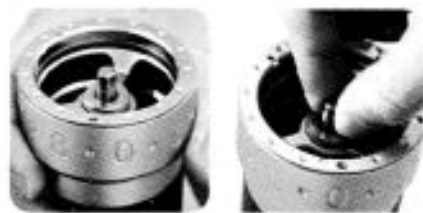


1. Calibrate correctly with the following conditions after Assemble:

- Red Dot points at "0"
- The Central Shaft is not loose
- The inner/outer Burr close



2. The Red Dot points at the right side of "0": Turn the Scale Ring clockwise to the end, unscrew the Knurled Thumb Nut a little bit, turn the Scale Ring anti-clockwise back to tightest. Repeat the steps until Calibrate correctly.



3. The Red Dot points at the left side of "0": Turn the Scale Ring clockwise to the end, screw the Knurled Thumb Nut a little bit tighter, turn the Scale Ring anti-clockwise back to tightest. Repeat the steps until Calibrate correctly.

Precautions

- DO NOT clean grinder with water.
- Keep it in dry condition.
- Please follow the instructions procedures of disassembly and assembly.
- DO NOT let children use this device for safety.



1ZPRESSO

