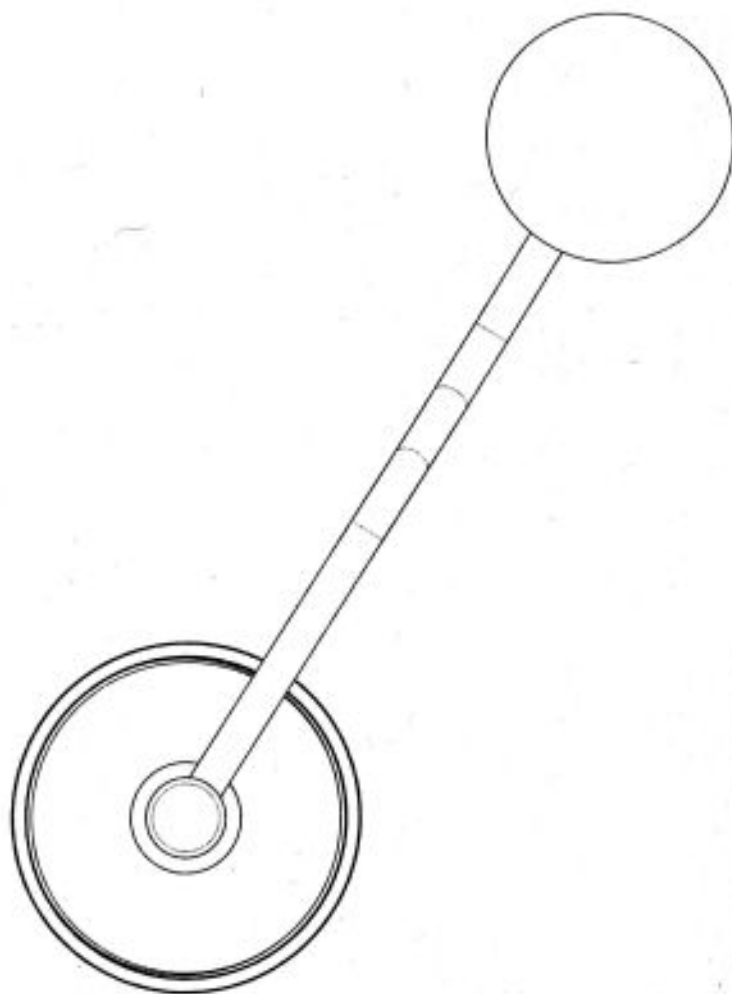




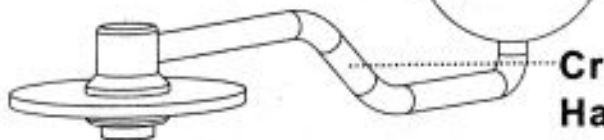
Portable Manual Grinder J Series



結構介紹

Hand Ball

Wood



Crank Handle

Aluminum Alloy

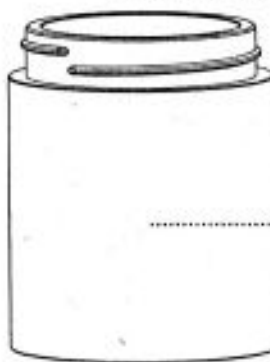


Central Shaft
304 Stainless steel

Anti-slip Rubber
Silicone/Leather

Main Body
Aluminum Alloy

Burr
Specialized
Stainless Steel



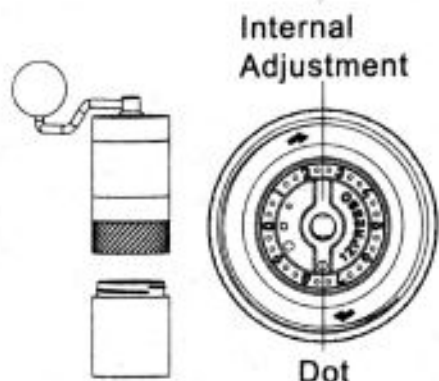
Knob
304 Stainless Steel

Receiver
Aluminum Alloy

**The capacity of powder receiver: 30-35g
(according to beans type)**



Instructions



Adjust the graduated dial Clockwise
(Finer grinding)
Adjust the graduated dial Counterclockwise
(Coarseness grinding)

1. The principle of Internal adjustment:
Let the burr (inner and outer) closed then lose the knob to adjust the coarseness.
2. Before use, please installed the crank handle and hold.
3. Screw the knob clockwise into tightest, the dot point to the number set as a starting point .It is not necessarily to be 0, it might be at 0 to 9.
4. From the starting point, screw the knob counterclockwise to your preferred grinding degree.
5. There have 10-point / 30-click in a circle. The pitch is 0.75mm.
6. The starting point might different cause by using times, residual powder or other reasons.

7. Please refer to the Grinding Recommendation Card for different brewing methods.

8. Rotate the handle clockwise to start grinding.



Please watch the video on our web(or scan the QR Code) disassemble/assemble the grinder.

<https://www.1zpresso.com>

YouTube official channel

Precautions

- DO NOT clean grinder with water.
- Keep it in dry condition.
- Please follow the instructions procedures of disassembly and assembly
- DO NOT let children use this device for safety

Deep cleaning

Note: Do not remove the Burr Ring Holder before step 2.



1. Install crank handle and hold, screw the knob counterclockwise until apart off.



2. Take out knob/degree disk/burr/spring/ lower bearing cover in order.



3. Please lose and remove the Burr Ring Holder clockwise.

4. Use brush and blower to clean the parts.

Assemble



1. Screw the Burr Ring Holder tightly counterclockwise.



2. Installed lower bearing cover (convex surface facing the top)/spring/ burr/ degree disk in order.



3. Hold the crank handle and screw the knob clockwise into tightest.

DO NOT disassemble the following components



Central Shaft



Burr ring holder



Bearing



1ZPRESSO.COM

